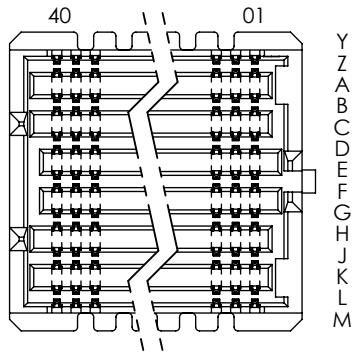
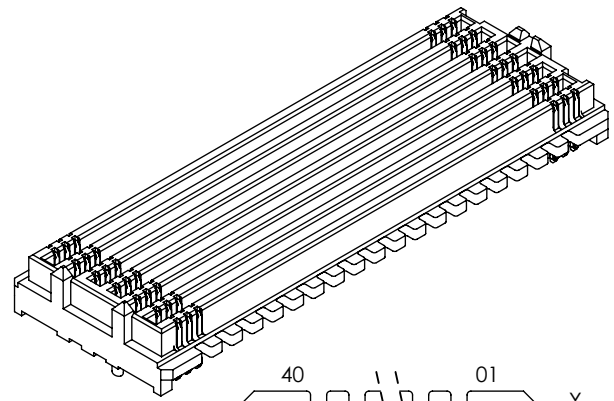


DO NOT SCALE FROM THIS PRINT

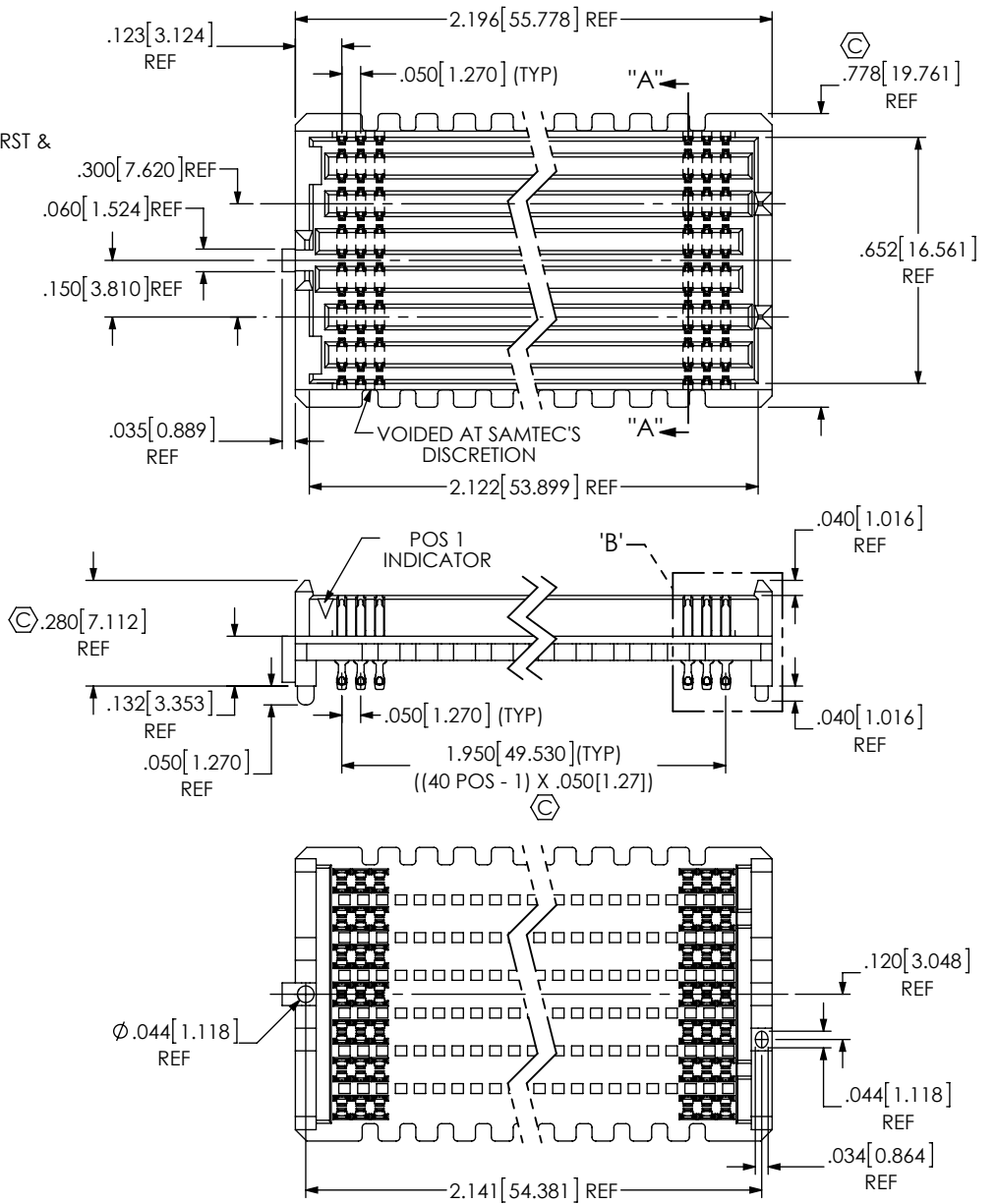
- NOTES:
1. VITA 57.4 CONNECTOR.
 2. Ⓢ REPRESENTS A CRITICAL DIMENSION.
 3. MINIMUM PUSHOUT FORCE: 0.50 LBS.
 4. NOTE DELETED.
 5. NOTE DELETED.
 6. NOTE DELETED.
 7. ATTACH LABEL "SEAX-0001" TO EACH TAPE & REEL PACKAGE.
 8. NOTE DELETED.
 9. Ⓢ MAXIMUM ROW TO ROW VARIATION .003[0.08], MEASURED FIRST & LAST POSITIONS ONLY, ALL ROWS.
 10. PARTS TO BE PACKAGED IN TAPE AND REEL.
 11. NOTE DELETED.

THIS PRODUCT MANUFACTURED WITH LEAD-FREE PROCESSING



VITA 57.4 DETAIL

ANY REV MADE TO THIS PRINT MUST HAVE AN UPDATED MKT PRINT



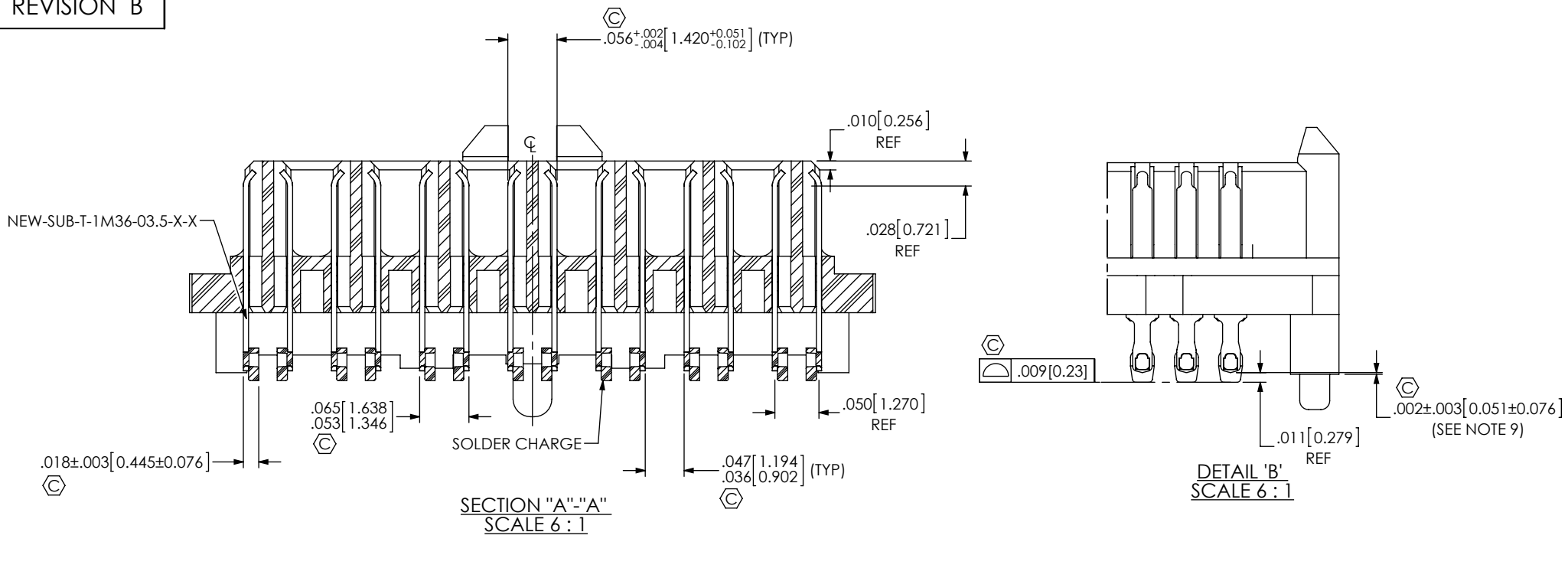
UNLESS OTHERWISE SPECIFIED, DIMENSIONS ARE IN INCHES. TOLERANCES ARE:
 DECIMALS ANGLES
 .XX: ±.01 [0.3] 2°
 .XXX: ±.005 [0.13]
 .XXXX: ±.0020 [0.051]

PROPRIETARY NOTE
 THIS DOCUMENT CONTAINS CONFIDENTIAL AND PROPRIETARY INFORMATION AND ALL DESIGN, MANUFACTURING, REPRODUCTION, USE, PATENT RIGHTS AND SALES RIGHTS ARE EXPRESSLY RESERVED BY SAMTEC, INC. THIS DOCUMENT SHALL NOT BE DISCLOSED, IN WHOLE OR PART, TO ANY UNAUTHORIZED PERSON OR ENTITY NOR REPRODUCED, TRANSFERRED OR INCORPORATED IN ANY OTHER PROJECT IN ANY MANNER WITHOUT THE EXPRESS WRITTEN CONSENT OF SAMTEC, INC.



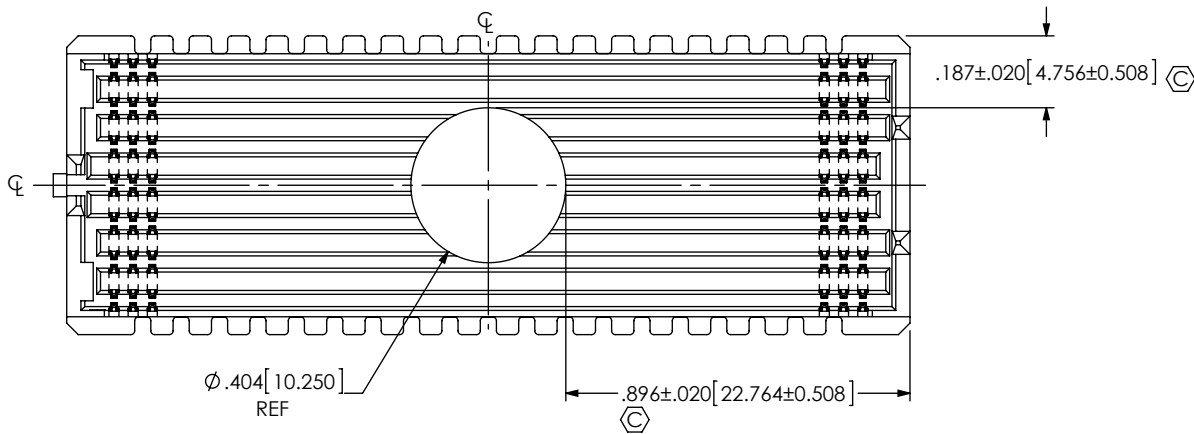
DO NOT SCALE DRAWING	SHEET SCALE: 2:1	DESCRIPTION: 14 ROW .050 PITCH TERMINAL ARRAY ASM
PLATING: CONTACT AREA: .00030 GOLD OVER .000050 NICKEL REMAINDER: .000200 REF TIN OVER .000050 NICKEL		DWG. NO. ASP-184330-01
BY: A ZAMORA 11/18/2014		SHEET 1 OF 4

ITEM NO.	PART NUMBER	QUANTITY	MATERIAL
1	SEAM-40-03.5-14-A	1.0000	LCP, UL 94 VO, COLOR: BLACK
2	NEW-SUB-T-1M36-03.5-S-2	560.00	COPPER ALLOY / LEAD FREE SOLDER
3	K-DOT-.404-.500-.005	1.0000	POLYIMIDE FILM
4	CT-SEAM182MS	.00667	CONDUCTIVE POLYMER

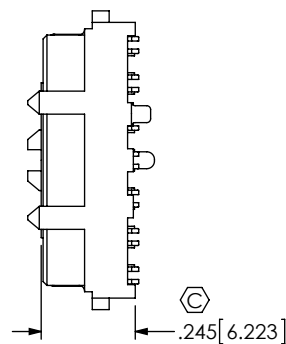


SECTION "A"-"A"
SCALE 6 : 1

DETAIL 'B'
SCALE 6 : 1



PAD VIEW



PROPRIETARY NOTE
 * THIS DOCUMENT CONTAINS CONFIDENTIAL AND PROPRIETARY INFORMATION AND ALL DESIGN, MANUFACTURING, REPRODUCTION, USE, PATENT RIGHTS AND SALES RIGHTS ARE EXPRESSLY RESERVED BY SAMTEC, INC. THIS DOCUMENT SHALL NOT BE DISCLOSED, IN WHOLE OR PART, TO ANY UNAUTHORIZED PERSON OR ENTITY NOR REPRODUCED, TRANSFERRED OR INCORPORATED IN ANY OTHER PROJECT IN ANY MANNER WITHOUT THE EXPRESS WRITTEN CONSENT OF SAMTEC, INC.

DO NOT SCALE DRAWING

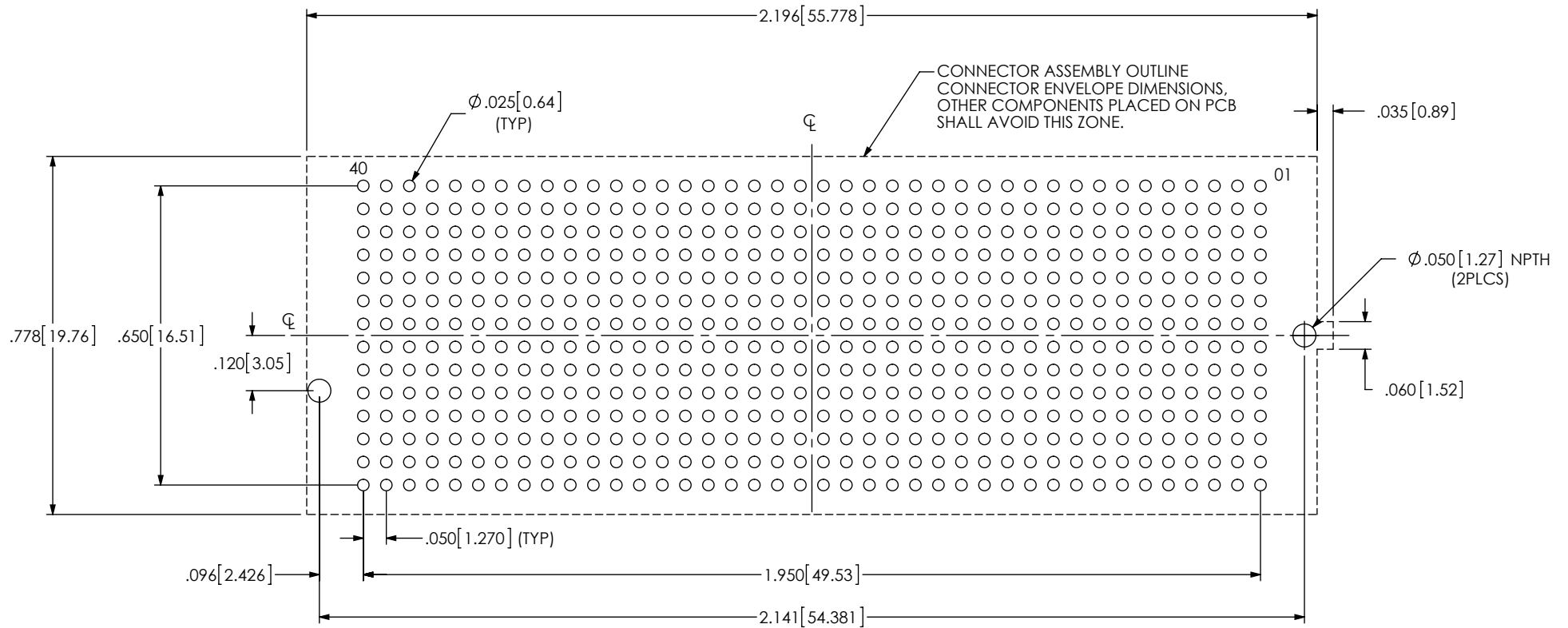
SHEET SCALE: 2:1



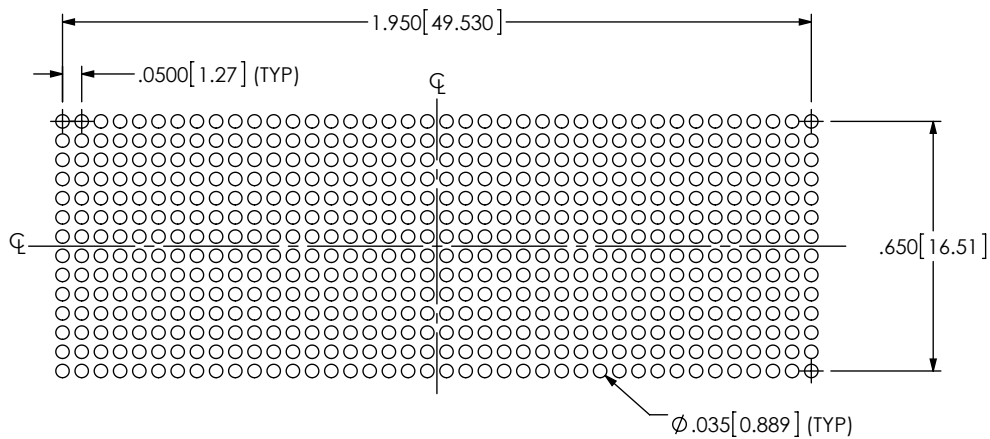
520 PARK EAST BLVD, NEW ALBANY, IN 47150
 PHONE: 812-944-6733 FAX: 812-948-5047
 e-Mail info@SAMTEC.com code 55322

DESCRIPTION:
14 ROW .050 PITCH TERMINAL ARRAY ASM

DWG. NO.
ASP-184330-01



RECOMMENDED PCB LAYOUT
ALL DIMENSIONS ARE SYMMETRIC ABOUT THE CENTERLINE



RECOMMENDED STENCIL LAYOUT
ALL DIMENSIONS ARE SYMMETRIC ABOUT THE CENTERLINE
STENCIL TO BE .0060 [1.52] THICK

PROPRIETARY NOTE
THIS DOCUMENT CONTAINS CONFIDENTIAL AND PROPRIETARY INFORMATION AND ALL DESIGN, MANUFACTURING, REPRODUCTION, USE, PATENT RIGHTS AND SALES RIGHTS ARE EXPRESSLY RESERVED BY SAMTEC, INC. THIS DOCUMENT SHALL NOT BE DISCLOSED, IN WHOLE OR PART, TO ANY UNAUTHORIZED PERSON OR ENTITY NOR REPRODUCED, TRANSFERRED OR INCORPORATED IN ANY OTHER PROJECT IN ANY MANNER WITHOUT THE EXPRESS WRITTEN CONSENT OF SAMTEC, INC.

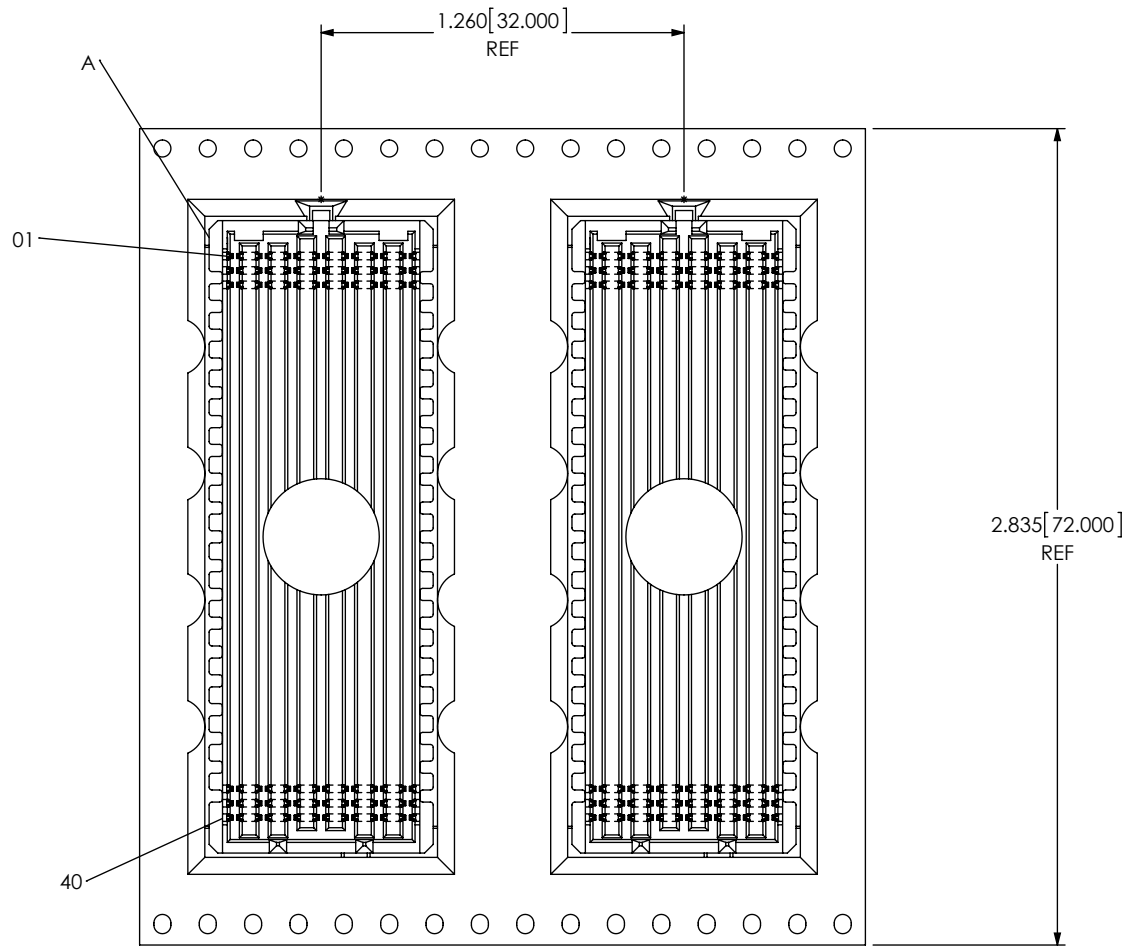
samtec
520 PARK EAST BLVD., NEW ALBANY, IN 47150
PHONE: 812-944-6733 FAX: 812-948-5047
e-Mail: info@SAMTEC.com code 55322

SHEET SCALE: 3:1

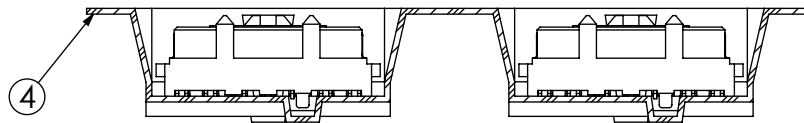
DESCRIPTION:
14 ROW .050 PITCH TERMINAL ARRAY ASM

DWG. NO.
ASP-184330-01

BY: AZAMORA 11/18/2014 SHEET 3 OF 4



USER DIRECTION OF UN-REELING →
POCKET NOT DETAILED



SECTION E-E
SCALE 1.5 : 1

PROPRIETARY NOTE

THIS DOCUMENT CONTAINS CONFIDENTIAL AND PROPRIETARY INFORMATION AND ALL DESIGN, MANUFACTURING, REPRODUCTION, USE, PATENT RIGHTS AND SALES RIGHTS ARE EXPRESSLY RESERVED BY SAMTEC, INC. THIS DOCUMENT SHALL NOT BE DISCLOSED, IN WHOLE OR PART, TO ANY UNAUTHORIZED PERSON OR ENTITY NOR REPRODUCED, TRANSFERRED OR INCORPORATED IN ANY OTHER PROJECT IN ANY MANNER WITHOUT THE EXPRESS WRITTEN CONSENT OF SAMTEC, INC.



520 PARK EAST BLVD, NEW ALBANY, IN 47150
PHONE: 812-944-6733 FAX: 812-948-5047
e-Mail: info@SAMTEC.com code 55322

SHEET SCALE: 3:1

DESCRIPTION:
14 ROW .050 PITCH TERMINAL ARRAY ASM

DWG. NO.
ASP-184330-01

BY: A ZAMORA 11/18/2014 SHEET 4 OF 4